



Type:

Model:

Project:

# SPECIFICATION SHEET

## MODEL 5272-LED Landscape Series • In-Ground & Well Lights

### FIXTURE SPECIFICATIONS:

**HOUSING:**

Injection-molded, glass-reinforced Ryton® R-4 composite for strength and high UV stability – warranted for ten years against corrosion.

**LENS COVER:**

Injection-molded, glass-reinforced Ryton® R-4 composite fitted to housing with a silicone O-ring gasket – providing a superior weather-tight seal.

**FINISH:**

Polyester powder-coat finish available in Black, Verde, Architectural Brick, Light Bronze, Dark Bronze, Granite, Pewter, Terracotta, Rust, Hunter Green, Mocha, Weathered Bronze, Weathered Iron, and White.

**LENS:**

Clear, tempered, shock and heat-resistant, soda-lime glass lens- crowned (convex) to promote water runoff. Optical effect lenses are available; see accessories column on fixture ordering information chart.

**LAMP TYPE:**

High Output LED with Vista exclusive smart-driver, powered to operate for 50,000 hours.

**OPTICS:**

Integral high-efficiency optics available in spot through flood beam spreads.

**ELECTRICAL:**

Input voltage range 10.5–15V AC, regulated to achieve uniform illumination throughout the cable run of fixtures. Integral surge & reverse polarity protection.

**MOUNTING:**

In-grade. Conduit mount fixtures have two 3/4" NPT inlets on bottom. Optional concrete mounting kit available; please see accessories column on fixture ordering information chart.

**FASTENERS/INSERTS:**

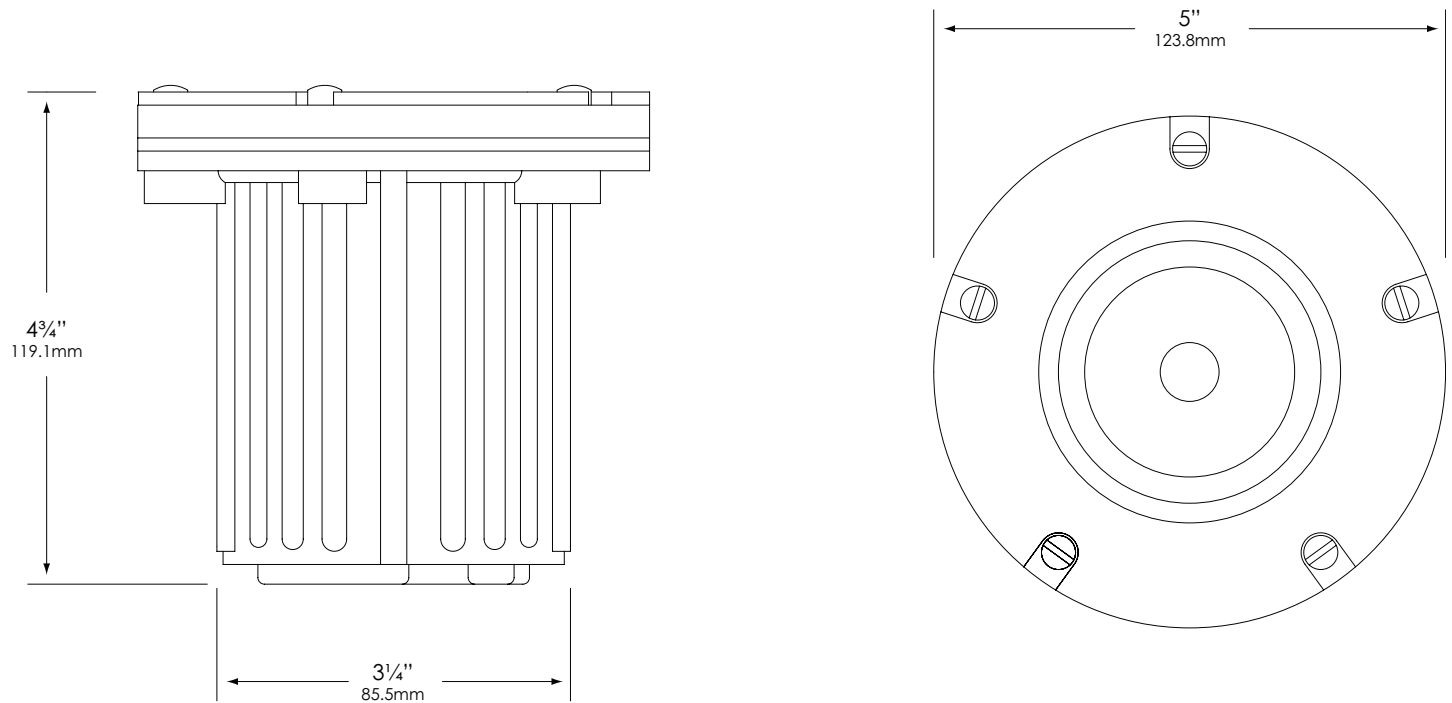
All fasteners are stainless steel with brass inserts.

**WIRING:**

Prewired with a three-foot pigtail of 18-2 direct-burial cable and underground connectors for a secure connection to supply cable.

All Vista luminaires are [MADE IN U.S.A.](#)

### DIMENSIONS:



Vista Professional Outdoor Lighting reserves the right to modify the design and/or construction of the fixture shown without further notification.



# SPECIFICATION SHEET

## MODEL 5272-LED Landscape Series • In-Ground & Well Lights

### FIXTURE ORDERING INFORMATION

TO ORDER FIXTURE: Select appropriate choice from each column as in the following example.

**EXAMPLE: GW-5272-B-W-LF3SP-SL**

MOUNTING	MODEL	FINISH	COLOR TEMP	LAMP	ACCESSORIES
GW - In-grade CM - In-grade conduit mount	5272	B- Black G- Verde BR- Architectural Brick Z- Architectural Bronze LZ - Light Bronze DZ - Dark Bronze GT- Granite P- Pewter TC- Terracotta R- Rust HG- Hunter Green M- Mocha WB- Weathered Bronze WI- Weathered Iron W- White	W - Warm C - Cool	LF3SP - 3 emitter, 5W, Spot LF3MF - 3 emitter, 5W, Med. Flood LF3WF - 3 emitter, 5W, Wide Flood LF6SP - 6 emitter, 10W, Spot LF6MF - 6 emitter, 10W, Med. Flood LF6WF - 6 emitter, 10W, Wide Flood  LED - Group F Emitter Qty - 3 or 6 Temperature - Warm (W) or Cool (C) Operating voltage range - 10.5 to 15V.  <i>(Please see lamp order code column on lamp guide, Vista product catalog.)</i>	CBL - Crowned Cool Blue lens CFR - Crowned Frosted lens SL - Flat Spread lens DBL - Flat Dark Blue lens GL - Flat Dark Green lens RL - Flat Red lens YL - Flat Amber lens HL - Honeycomb louver

Fixtures shipped with standard lamp, unless otherwise specified.